

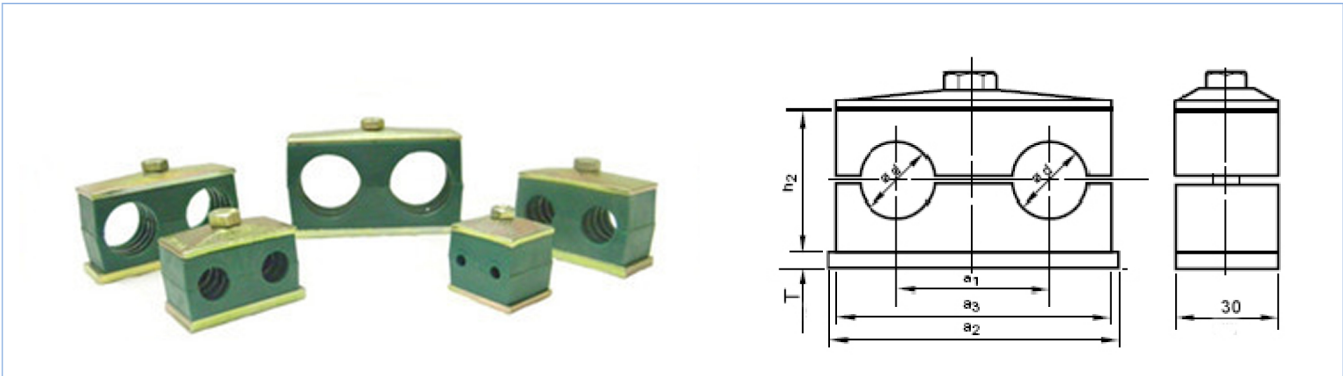


DIN 3015 - Part 3

Twin Series Clamps

Product Code
Jaws Material
Metal Assemblies

PCT
PP, PA, SS
CS, SS



DIN GROUP	PIPE OD Dia	a ₂	a ₃	a ₁	T	h ₂	BOLT SIZE
1	6	42	36	20	3	27	M6x35
	6.4						
	8						
	9.5						
	10						
2	12	59	53	29	5	27	M8x35
	12.7						
	13.5						
	14						
	15						
3	16	74	67	36	5	37	M8x45
	17.2						
	18						
	19						
	20						
4	21.3	86	80	45	5	40	M8x50
	22						
	25						
	26.9						
5	28	112	106	56	5	53	M8x60
	30						
	32						
	33.7						
	35						
	38						
	40						
	42						