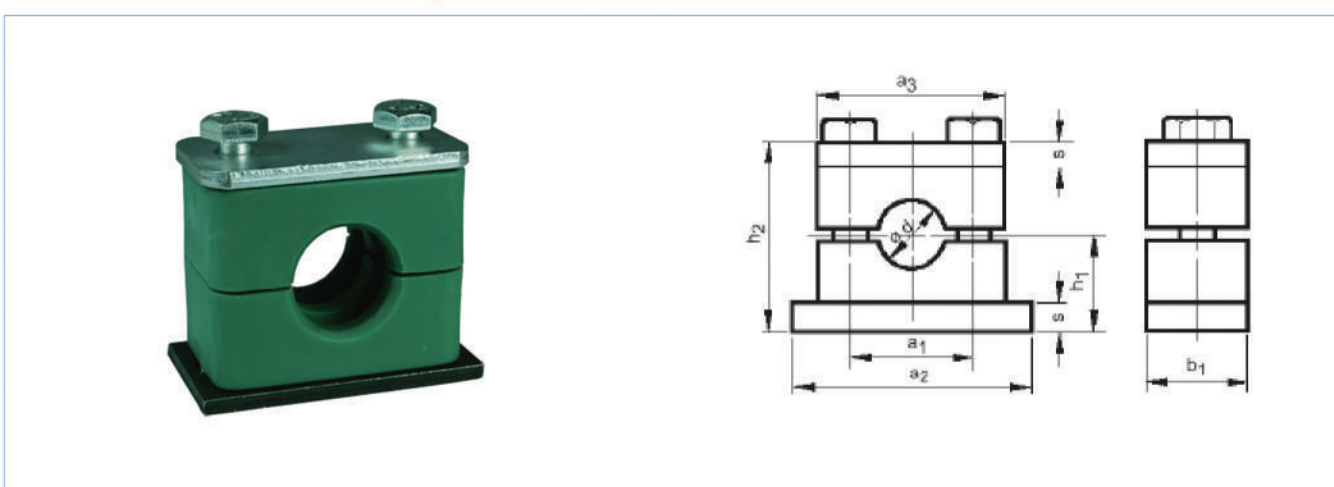


DIN 3015 - Part 1 Standard Series Clamps

Product Code
Jaws Material
Metal Assemblies

PCL
PP, PA, SS
CS, SS



| DIN GROUP | PIPE OD Dia | a ₂ | a ₃ | a ₁ | T | h ₂ | BOLT SIZE |
|-----------|-------------|----------------|----------------|----------------|---|----------------|-----------|
| 1 | 4 | 43 | 37 | 20 | 3 | 33 | M6x30 |
| | 6 | | | | | | |
| | 6.4 | | | | | | |
| | 8 | | | | | | |
| | 9.5 | | | | | | |
| | 10 | | | | | | |
| 2 | 12 | 48 | 42 | 26 | 3 | 39 | M6x35 |
| | 12.7 | | | | | | |
| | 13.5 | | | | | | |
| | 14 | | | | | | |
| | 15 | | | | | | |
| | 16 | | | | | | |
| 3 | 17.2 | 56 | 50 | 33 | 3 | 42 | M6x40 |
| | 18 | | | | | | |
| | 19 | | | | | | |
| | 20 | | | | | | |
| | 21.3 | | | | | | |
| | 22 | | | | | | |
| 4 | 25 | 65 | 59 | 40 | 3 | 48 | M6x45 |
| | 26.9 | | | | | | |
| | 28 | | | | | | |
| | 30 | | | | | | |
| | 32 | | | | | | |
| | 33.7 | | | | | | |
| 5 | 35 | 77 | 71 | 52 | 3 | 64 | M6x60 |
| | 38 | | | | | | |
| | 40 | | | | | | |
| | 42 | | | | | | |
| | 44.5 | | | | | | |
| | 48.3 | | | | | | |
| 6 | 50.8 | 92 | 86 | 66 | 3 | 72 | M6x70 |
| | | | | | | | |

DIN 3015 - Part 1 Standard Series Clamps

Product Code **PCL**

| DIN GROUP | Pipe OD Dia | 2 Clamp Halves (Jaws) - JPCL | | | | | Single Weld Plate - BP | | Elongated Weld Plate - EBP | | | Mounting Hole Dia |
|-----------|-------------|------------------------------|----|----|---------|-------|------------------------|----|----------------------------|----|-----|-------------------|
| | | L1 | L2 | H | S | WIDTH | L1 | L2 | L1 | L2 | L3 | |
| 1 | 6 | 37 | 20 | 27 | 0.4 MIN | 30 | BP1 | | EBP1 | | | 6.5 |
| | 6.4 | | | | | | 43 | 20 | 64 | 20 | 50 | |
| | 8 | | | | | | | | | | | |
| | 9.5 | | | | | | | | | | | |
| | 10 | | | | | | | | | | | |
| | 12 | | | | | | | | | | | |
| 2 | 12.7 | 42 | 26 | 33 | 0.6 MIN | 30 | BP2 | | EBP2 | | | 6.5 |
| | 13.5 | | | | | | 48 | 26 | 70 | 26 | 56 | |
| | 14 | | | | | | | | | | | |
| | 15 | | | | | | | | | | | |
| | 16 | | | | | | | | | | | |
| | 17.2 | | | | | | | | | | | |
| 3 | 18 | 50 | 33 | 36 | 0.6 MIN | 30 | BP3 | | EBP3 | | | 6.5 |
| | 19 | | | | | | 56 | 33 | 78 | 33 | 64 | |
| | 20 | | | | | | | | | | | |
| | 21.3 | | | | | | | | | | | |
| | 22 | | | | | | | | | | | |
| | 25 | | | | | | | | | | | |
| 4 | 26.9 | 59 | 40 | 42 | 0.6 MIN | 30 | BP4 | | EBP4 | | | 6.5 |
| | 28 | | | | | | 65 | 40 | 87 | 40 | 73 | |
| | 30 | | | | | | | | | | | |
| | 32 | | | | | | | | | | | |
| | 33.7 | | | | | | | | | | | |
| | 35 | | | | | | | | | | | |
| 5 | 38 | 71 | 52 | 58 | 0.8 MIN | 30 | BP5 | | EBP5 | | | 6.5 |
| | 40 | | | | | | 77 | 52 | 100 | 52 | 86 | |
| | 42 | | | | | | | | | | | |
| | 44.5 | | | | | | | | | | | |
| | 48.3 | | | | | | | | | | | |
| | 50.8 | | | | | | | | | | | |
| 6 | | 86 | 66 | 66 | 0.8 MIN | 30 | BP6 | | EBP6 | | | 6.5 |
| | | | | | | | 92 | 66 | 115 | 66 | 100 | |

DIN 3015 - Part 1 Standard Series Clamps

Product Code **PCL**

| DIN GROUP | PIPE OD Dia | TWIN WELD PLATE - TBP | | | TOP PLATE - TP | | | HEX BOLT - HB | SOCKET HEAD BOLT - SB | | | | STACKING BOLT - STB | | | | STACKING PLATE - SP | |
|-----------|-------------|-----------------------|----|----|----------------|----|----------|------------------|-----------------------|----|-----|----|---------------------|--------|----|----|---------------------|----|
| | | L1 | L2 | L3 | L1 | L2 | HOLE DIA | DIN931/933 G x L | DIN 912 G x L | | D | S | L1 | L2 | L3 | SW | L | B2 |
| 1 | 6 | TBP1 | | | TP1 | | | HB1 | SB1 | | | | STB1 | | | | SP1 | |
| | 6.4 | 77 | 20 | 37 | 37 | 20 | 7 | M6x30 | M6x20 | 11 | 0.8 | 34 | 20 | 12 MIN | 11 | 37 | 11.1 | |
| | 8 | | | | | | | | | | | | | | | | | |
| | 9.5 | | | | | | | | | | | | | | | | | |
| | 10 | | | | | | | | | | | | | | | | | |
| | 12 | | | | | | | | | | | | | | | | | |
| 2 | 12.7 | TBP2 | | | TP2 | | | HB2 | SB2 | | | | STB2 | | | | SP2 | |
| | 13.5 | 86 | 26 | 44 | 42 | 26 | 7 | M6x35 | M6x25 | 11 | 0.8 | 40 | 25 | 12 MIN | 11 | 42 | 11.1 | |
| | 14 | | | | | | | | | | | | | | | | | |
| | 15 | | | | | | | | | | | | | | | | | |
| | 16 | | | | | | | | | | | | | | | | | |
| | 17.2 | | | | | | | | | | | | | | | | | |
| 3 | 18 | TBP3 | | | TP3 | | | HB3 | SB3 | | | | STB3 | | | | SP3 | |
| | 19 | 102 | 33 | 52 | 50 | 33 | 7 | M6x40 | M6x30 | 11 | 0.8 | 44 | 30 | 12 MIN | 11 | 50 | 11.1 | |
| | 20 | | | | | | | | | | | | | | | | | |
| | 21.3 | | | | | | | | | | | | | | | | | |
| | 22 | | | | | | | | | | | | | | | | | |
| | 25 | | | | | | | | | | | | | | | | | |
| 4 | 26.9 | TBP4 | | | TP4 | | | HB4 | SB4 | | | | STB4 | | | | SP4 | |
| | 28 | 120 | 40 | 60 | 59 | 40 | 7 | M6x45 | M6x35 | 11 | 0.8 | 48 | 35 | 12 MIN | 11 | 59 | 11.1 | |
| | 30 | | | | | | | | | | | | | | | | | |
| | 32 | | | | | | | | | | | | | | | | | |
| | 33.7 | | | | | | | | | | | | | | | | | |
| | 35 | | | | | | | | | | | | | | | | | |
| 5 | 38 | TBP5 | | | TP5 | | | HB5 | SB5 | | | | STB5 | | | | SP5 | |
| | 40 | 163 | 52 | 75 | 71 | 52 | 7 | M6x60 | M6x50 | 11 | 0.8 | 64 | 50 | 12 MIN | 11 | 71 | 11.1 | |
| | 42 | | | | | | | | | | | | | | | | | |
| | 44.5 | | | | | | | | | | | | | | | | | |
| | 48.3 | | | | | | | | | | | | | | | | | |
| | 50.8 | | | | | | | | | | | | | | | | | |
| 6 | | TBP6 | | | TP6 | | | HB6 | SB6 | | | | STB6 | | | | SP6 | |
| | | 178 | 66 | 90 | 86 | 66 | 7 | M6x70 | M6x60 | 11 | 0.8 | 73 | 60 | 12 MIN | 11 | 86 | 11.1 | |